

ROVIA™ - RECESSED

INSTALL INSTRUCTIONS



PLEASE USE A QUALIFIED ELECTRICIAN FOR INSTALLATION. Read the instructions before installing or use of the luminaire.

WARNING, CAUTIONS AND OPERATING INSTRUCTIONS

- Read carefully before installing fixture. Retain for future reference.
- To prevent electrical shock, turn off electricity at breaker panel before proceeding.
- Failure to follow instructions may result in serious injury or death.
- Upon receipt the fixture, thoroughly inspect for any freight damage which should be brought to the attention of the delivery carrier. Compare the catalog description listed on the package slip with the fixture label on the housing to assure you have received the correct material.
- This fixture must be wired on 120-277V AC, in accordance with the National Electrical Code (NEC) and applicable local codes and ordinances. Proper grounding is required to insure personal safety and correct operation. Carefully observe the correct grounding procedure under installation section.
- Suitable for dry and damp locations.

INSTALLATION

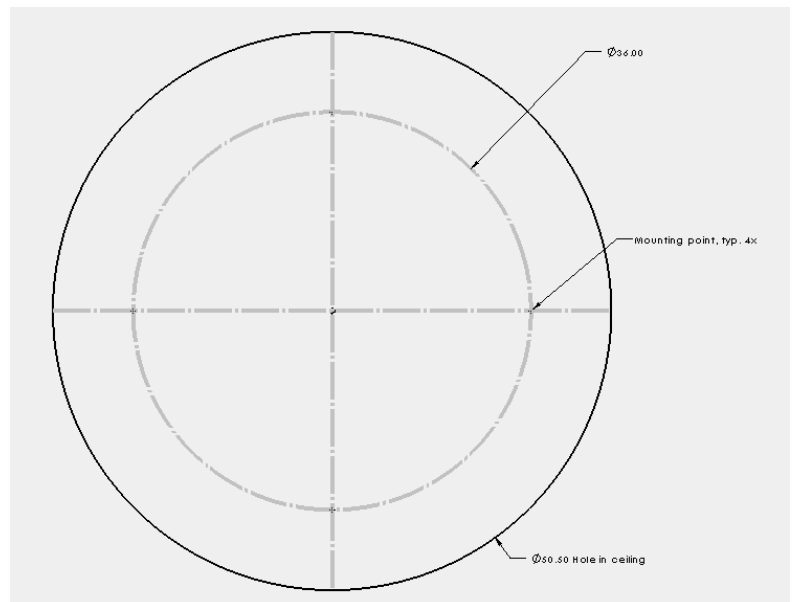


WARNING DISCONNECT POWER BEFORE INSTALLING OR SERVICING.

- The luminaire is non-IC rated. Insulation must be at least 3" from the luminaire.
- The luminaire is suitable for new ceiling stud construction or suspended ceilings. The luminaire is not suitable for poured concrete construction.
- Trade size EMT (bar hanger) or fasteners to attach to T-bar system (Caddy Fasteners #ATS41) NOT included.
- Minimum ceiling clearance is 5-1/2"; maximum ceiling thickness is 1-1/4"
- Luminaire requires a ceiling opening of 47-3/8 inches diameter.
- Luminaires may be damaged if connected to conduit systems containing water - Article 300-5G of National Electric Code requires that "Conduits or raceways through which moisture may contact energized live parts shall be sealed or plugged at either or both ends"
- Not suitable for through wiring.

IMPORTANT: Use sufficient load-bearing materials to support luminaire in all installations.

1. For drywall ceiling installation, cut a circular opening in the ceiling with a diameter of 50.5".
2. Install mounting points (1/4-20 threaded rod, by others) at 0°, 90°, 180°, and 270° on a 36" diameter. See diagram.
3. Connect flex to housing and make electrical connections, following local and national electrical codes.
4. Insert housing into the ceiling, slipping the threaded rod through the holes in the housing.
5. Press housing flanges against the ceiling, and thread nuts onto threaded rods. Tighten until the fixture is snug in the hole.
6. For T-bar installation, use hanger bars (by others) with threaded rods. Repeat process for drywall ceiling installation.
7. Once housing is installed, insert lens frame into housing. Align tabs with slots, and twist lens frame until tight. Fixture can now be energized.



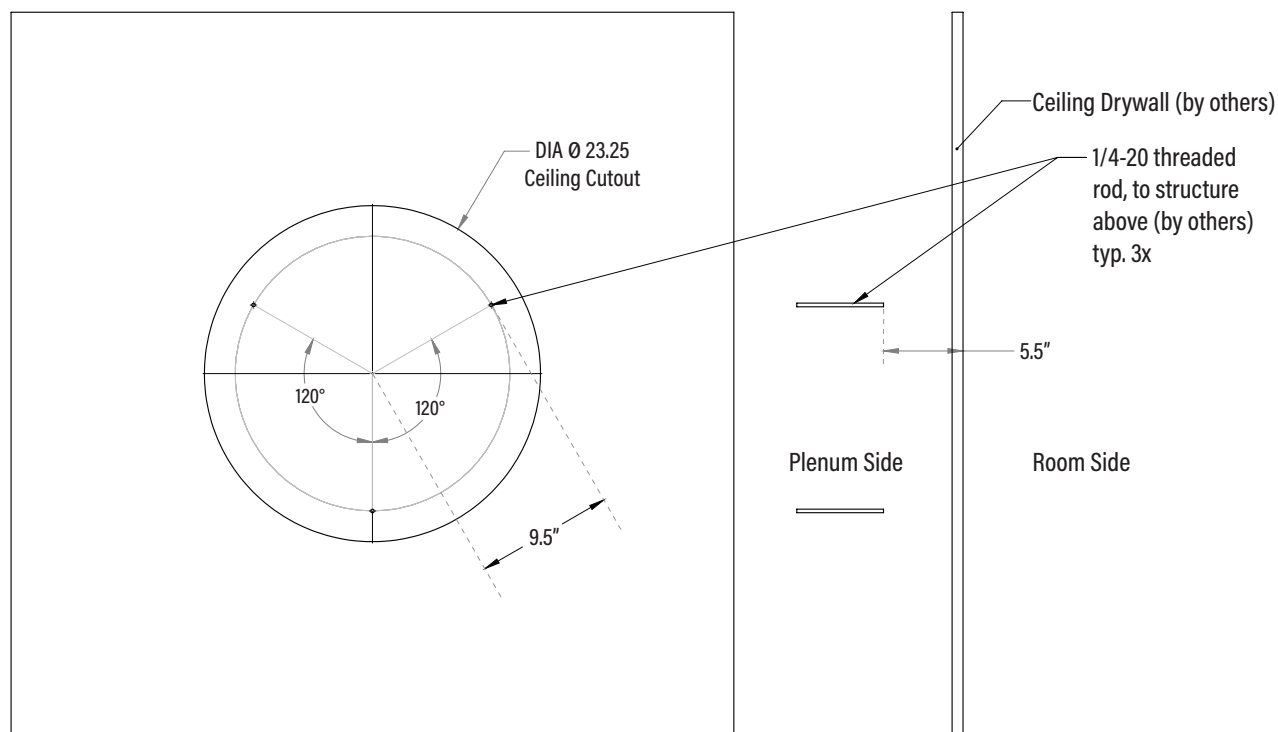
ROVIA™ - RECESSED

INSTALL INSTRUCTIONS

INSTALLATION



WARNING DISCONNECT POWER
BEFORE INSTALLING OR SERVICING.



1. Prepare fixture location according to the included plan
2. Rovia requires at least 8" between structure and the bottom surface of the drywall.
3. Prepare electrical feed with flex and push in connector (by others)
4. Turn off electrical circuit before installing.
5. Remove Rovia lens frame before installation.
6. Press flex push in connector into the center hole of the back of the housing. Make electrical connections.
7. Insert Rovia into opening, ensuring that the housing slides onto the three threaded rods.
8. Push Rovia tight onto the ceiling. Use a deep socket to fasten a washer and 1/4-20 nut onto each threaded rod.
9. Tighten until the flange is tight against the drywall.
10. Reinstall Lens Ring.
11. Fixture can now be powered.