

# ARA™ ARCHITECTURAL LED CHANNEL

## INSTALL INSTRUCTIONS



**PLEASE USE A QUALIFIED ELECTRICIAN FOR INSTALLATION.** Read the instructions before installing or use of the luminaire.

### WARNINGS, CAUTIONS AND OPERATING INSTRUCTIONS

- Before installing, servicing, or performing routine maintenance upon this equipment, follow these general precautions.
- Keep these instructions for reference.
- This fixture must be wired in accordance with the National Electrical Code and applicable local codes and ordinances. If you are unsure about the installation or maintenance of the luminaires, consult a qualified licensed electrician and check your local electrical code.
- Service and maintenance of luminaires should be performed by a qualified licensed electrician.
- Disconnect power before installing or servicing.
- Do NOT use this product for other than intended use.
- To prevent early product failure, luminaire should only be used in operating environments ranging from -4°F to 104°F (-20°C to 40°C).
- Wear gloves and safety goggles always when removing luminaire from carton, installing, servicing or performing maintenance.

### WARNING: RISK OF FIRE OR ELECTRICAL SHOCK

- Turn off electrical power at fuse or circuit breaker box before wiring fixture to the power supply.
- Turn off the power when you perform any maintenance.
- Verify that supply voltage is correct by comparing it with the luminaire label information.
- Make all electrical and grounded connections in accordance with the National Electrical Code and any applicable local code requirements.
- All wiring connections should be capped with UL approved wire connectors.

### CAUTION: RISK OF INJURY

- Avoid direct eye exposure to the light source while it is on.
- Account for small parts and destroy packing material, as these may be hazardous to children.
- Green ground screw is provided in the proper location. DO NOT RELOCATE.
- Minimum 90° supply conductors.
- Suitable for Dry or Damp locations.

### GENERAL INFORMATION



**WARNING DISCONNECT POWER BEFORE INSTALLING OR SERVICING.**

### GENERAL WIRING DIAGRAM

**WARNING:** ALL units must be individually connected to the AC supply.

- Connect BLACK (Line) driver lead to voltage supply Line position (HOT).
- Connect driver WHITE lead to the NEUTRAL supply position.
- Connect the GREEN ground lead to the supply ground lead.

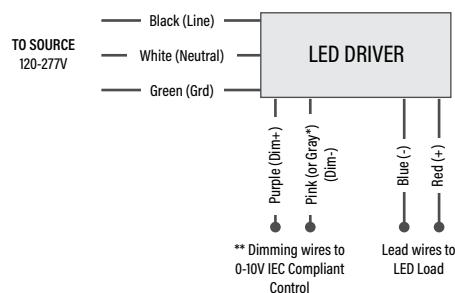
If using 0-10V dimming:

- Connect VIOLET lead to supply POSITIVE dimming lead.
- Connect PINK (or GREY) lead to the supply NEGATIVE dimming lead.

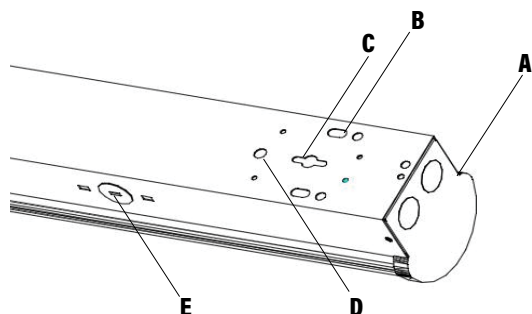
If NOT using 0-10V dimming:

- Ensure VIOLET and PINK (or GREY) 0-10V dimming leads are properly capped.

\*Per NEMA rule-change Dim (-) control wires changed from gray to pink after Jan. 01, 2022.



### MOUNTING OPTIONS



- A - End Cap
- B - Chain Mounting with V-Hook
- C - Surface Mounting
- D - T-Bar Clip Mounting Hole
- E - Wiring Knockouts

# ARA™ ARCHITECTURAL LED CHANNEL

## INSTALL INSTRUCTIONS

### INSTALLATION

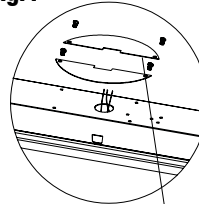


**WARNING DISCONNECT POWER BEFORE INSTALLING OR SERVICING.**

#### SURFACE MOUNTING (FIG. 1-3):

1. Secure the provided brackets onto the ceiling using the provided accessories and screws.
2. Screw the covers at the outlet of the back of the housing (Fig. 1).
3. Wire to main power through the J-Box (Fig. 2).
4. Then clip the brackets to the slots of the fixture (Fig. 3).

Fig. 1



Outlet Box Cover

Fig. 2

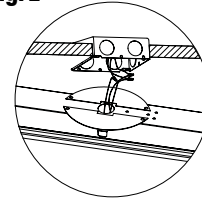
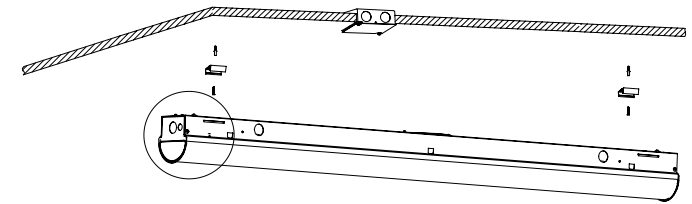
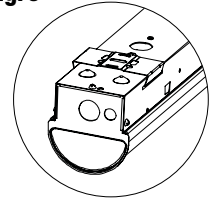


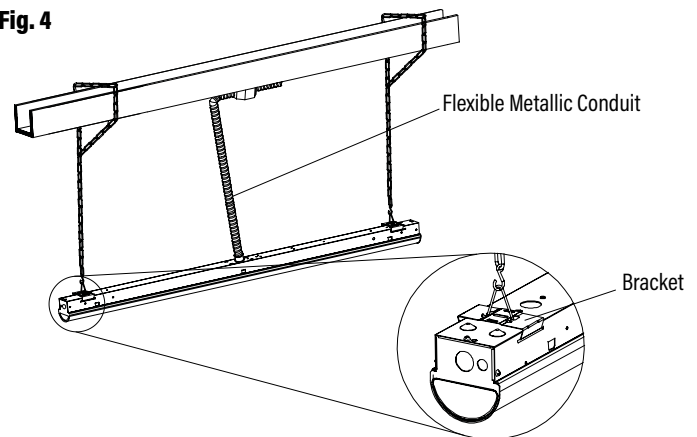
Fig. 3



#### SUSPENDED CHAIN MOUNTING (FIG. 4):

1. Clip the brackets to the slots of the fixture.
2. Attach the customer supplied V-hooks to the brackets (Fig. 4).
3. Attach the customer supplied chain to the V-Hooks and mounting surface.

Fig. 4



#### T-BAR CLIP MOUNTING:

1. Attach customer supplied T-Bar clips to the designated opening on the luminaire.
2. Bring luminaire into T-Bar ceiling grid and secure luminaire to grid.

**LENS INSPECTION:** After installation check to make sure the lens is completely secure inside the lamp body and the end cap. Gently pull down on the lens to ensure it does not shift.