

ARCHITECTURAL DOWNLIGHT

INSTALL INSTRUCTIONS

PLEASE USE A QUALIFIED ELECTRICIAN FOR INSTALLATION. Read the instructions before installing or use of the luminaire.

WARNING: RISK OF FIRE OR ELECTRICAL SHOCK

- Installation should be performed only by a qualified electrician in accordance with the national electric code (NEC) and all applicable federal, state and local electric codes and safety standards. The installation guide does not supersede local or national regulations for electrical installations. If not qualified, do not attempt installation. Contact a qualified electrician.
- Install only in locations that match the construction features and dimensions shown in the provided photographs or drawings.
- Ensure the installation surface can safely support the weight of the luminaire.
- Do not make or alter any open holes in an enclosure of wiring or electrical components during installation.
- To prevent wiring damage or abrasion do not expose wiring to edges of sheet metal or other sharp objects.
- Turn off electrical power at fuse or circuit breaker box before wiring fixture to the power supply.
- Verify that supply voltage and frequency is correct by comparing it with the luminaire label information.
- All wiring connections should be capped with UL approved wire connectors.
- Avoid direct eye exposure to the light source while it is on.
- Do not handle or energize fixture when hands are wet, when standing on wet or damp surfaces, or in water.
- Before installation inspect equipment for damage from shipping and handling.
- Suitable for dry and damp locations.
- Operating temperature: -4°F to 104°F
- Min. 90°C supply conductors
- Suitable for Type Non-IC

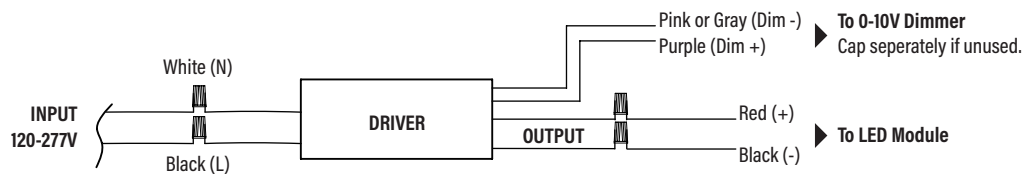
MAINTENANCE

- Turn off the power before performing any maintenance.
- Luminaire can be cleaned with a soft, damp cloth.

GENERAL WIRING DIAGRAM



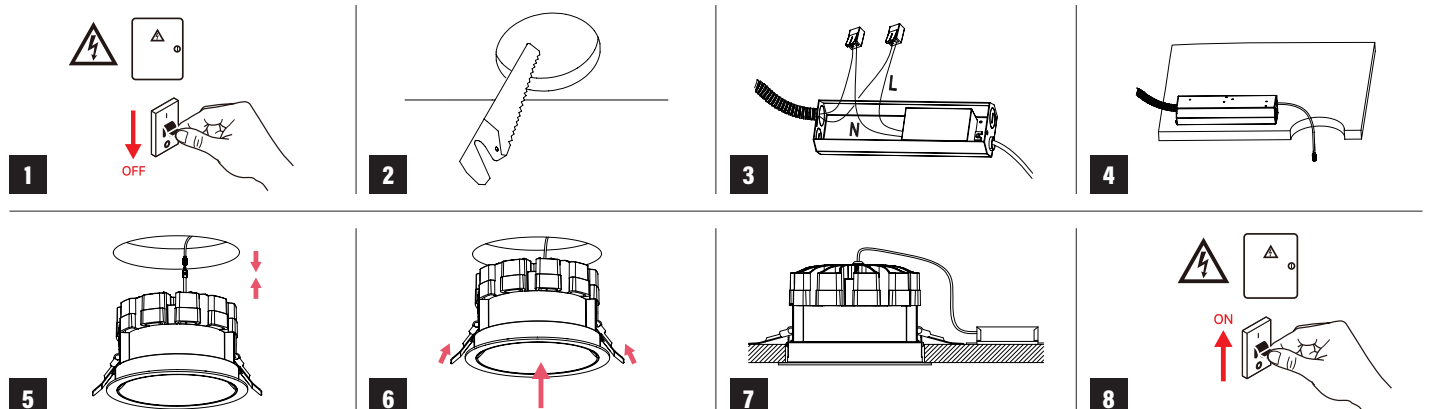
WARNING DISCONNECT POWER BEFORE INSTALLING OR SERVICING.



INSTALLATION



WARNING DISCONNECT POWER BEFORE INSTALLING OR SERVICING.



ARCHITECTURAL DOWNLIGHT

INSTALL INSTRUCTIONS

NEW CONSTRUCTION PLATE INSTALLATION

! WARNING DISCONNECT POWER BEFORE INSTALLING OR SERVICING.

